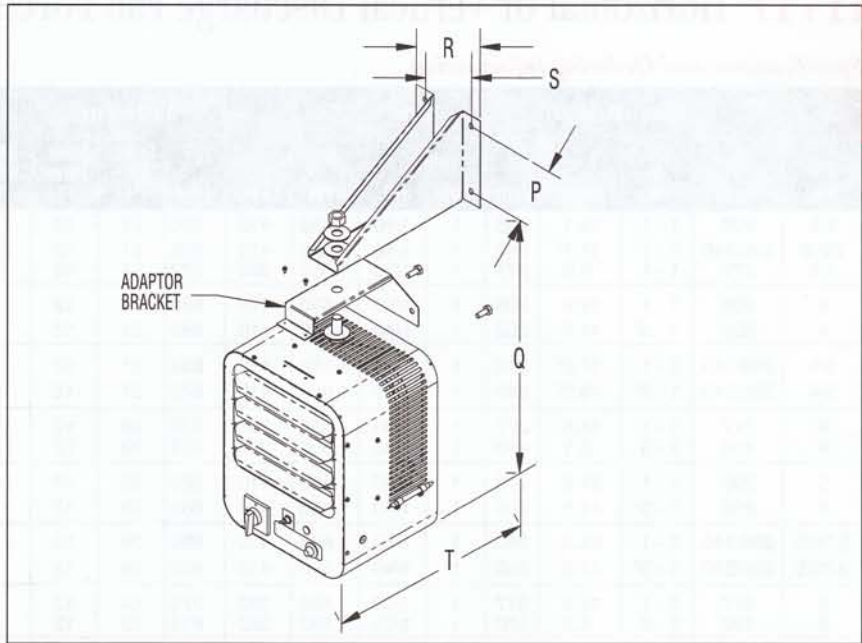


## HVH

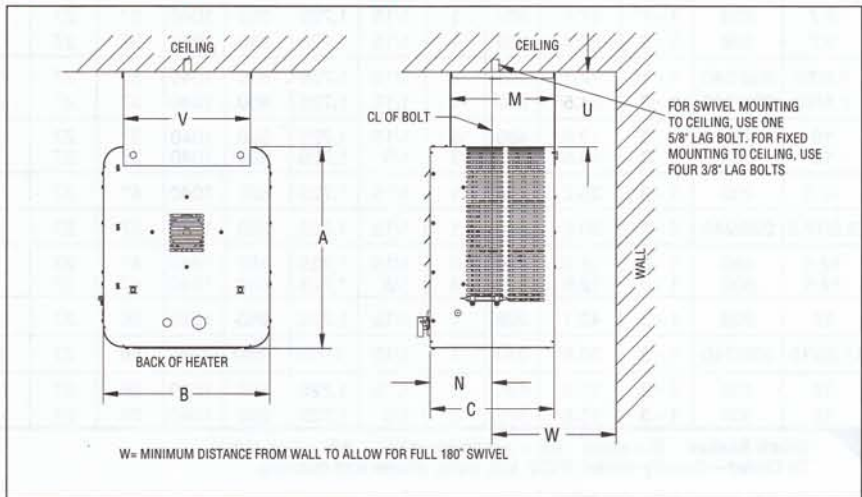
### Horizontal or Vertical Discharge Fan Forced Unit Heater (cont'd.)

#### Optional Wall Swivel Mounting Bracket



Bracket Model No.	PCN	Dimensions (In.)					Bracket Wt. (lbs.)	Use With
		P	Q	R	S	T		
HVW-1	219416	6-1/8	18-7/8	7	5	17-5/8	3-3/4	HVH-02, 04, 05
HVW-2	219424	6-1/8	23-1/4	7	5	18-5/8	6-1/2	HVH-07, 10, 15

#### Optional Ceiling Swivel Mounting Bracket



Bracket Model No.	PCN	Dimensions (In.)								Wt. (lbs.)	Use With
		A	B	C	M	N	U	V	W		
HVC-1	219432	16-1/8	13	10	8-3/8	5-3/4	7-3/4	9-3/4	12	4	HVH-02, 04, 05
HVC-2	219440	20-5/8	17-1/8	12-3/4	10-3/4	6-3/4	7-3/4	12	12	8	HVH-07, 10, 12, 15

#### Optional Fan Only Kits

Description	Model	PCN	Stock	Wt. (lbs.)
Fan switch (no relay)	HVF-01	219504	S	0.25
Fan switch (24V relay)	HVF-02	219512	S	0.5
Fan switch (120V relay)	HVF-03	219520	S	0.5