



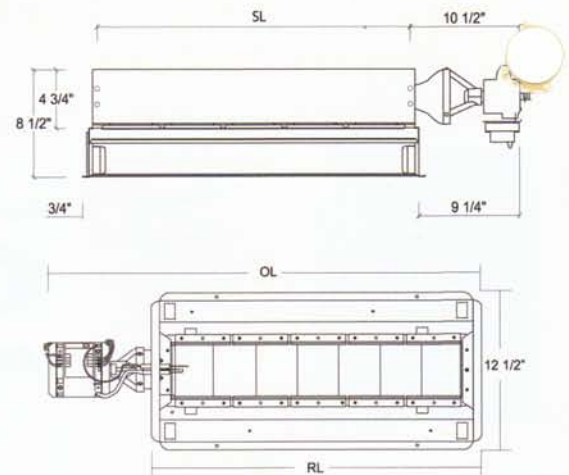
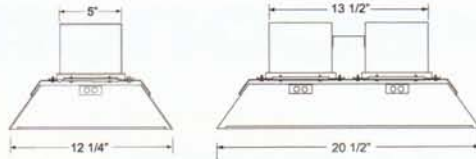
Don't settle for an underperforming infrared heater. InfraSave provides more heat for less money.



IL Series Specifications

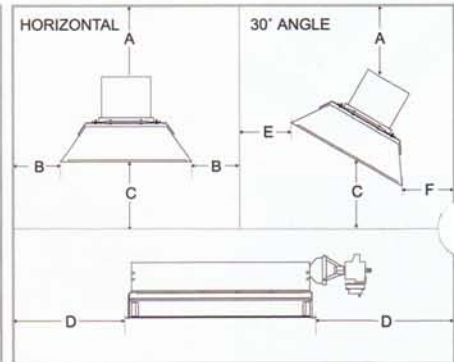
DIMENSIONS AND SPECIFICATIONS

Model	Input BTU/HRS	Weight (lbs)	SL	OL	RL
IL 22	21,500	22	14"	24"	12 5/8"
IL 37	35,000	26	18 1/4"	30 1/4"	19 3/4"
IL 50	50,000	31	25 1/2"	38 1/2"	27 1/8"
IL 75	71,500	38	36 3/8"	48 1/2"	38"
IL 100	100,000	45	51"	63 3/4"	52 3/4"
IL 150	143,000	60	36 3/8"	49 1/2"	37 1/2"
IL 200	200,000	70	51"	64 3/4"	54 1/2"



CLEARANCES TO COMBUSTIBLES

MODEL	SUSPENDED HORIZONTALLY			ENDS D	SUSPENDED AT AN ANGLE UP TO 45 DEGREES	
	A	B	C		E	F
IL 22	24"	27"	60"	24"	60"	24"
IL 37	24"	27"	60"	24"	60"	24"
IL 50	24"	27"	78"	24"	78"	24"
IL 75	30"	33"	84"	30"	84"	30"
IL 100	36"	33"	84"	30"	84"	30"
IL 150	52"	55"	121"	39"	84"	55"
IL 200	52"	55"	121"	39"	84"	55"



HORIZONTAL SUGGESTED MOUNTING DISTANCE FOR COMFORT*

Model	IL 22	IL 37	IL 50	IL 75	IL 100	IL 150	IL 200
Distance to floor	12'	16'	20'	24'	28'	32'	34'
Max. heater spacing	16'	22'	28'	34'	39'	45'	50'
Max. distance between heater rows	25'	30'	40'	50'	70'	75'	80'

*These mounting distances are suggested only and may vary with jobsite conditions

ANGLE SUGGESTED MOUNTING DISTANCE FOR COMFORT*

Model	IL 22	IL 37	IL 50	IL 75	IL 100	IL 150	IL 200
Distance to floor	12'	13'	17'	20'	22'	26'	28'
Max. heater spacing	16'	22'	28'	34'	39'	45'	50'
Max. distance between heater rows	25'	30'	40'	50'	70'	100'	100'

*These mounting distances are suggested only and may vary with jobsite conditions

GAS REQUIREMENTS

Gas inlet pipe size (inches)		0.5
Nat. Gas	Line min. in W.C.	6
	Line max. in W.C.	14
	Manifold in W.C.	5
L.P. Gas	Line min. in W.C.	11
	Line max. in W.C.	14
	Manifold in W.C.	10

ELECTRICAL

24 VAC 0.55 Amp / 20 VA per Heater

MB Industrial Equipment Inc.

P.O. Box 14 152 West 4th Avenue
Tarentum, PA 15084
Phone: (724) 226-8336 Fax: (724) 226-9760



IS-100425
RL: 2
RD: JULY 2010