



Don't settle for an underperforming infrared heater. InfraSave provides more heat for less money.



ultimate Series Specifications

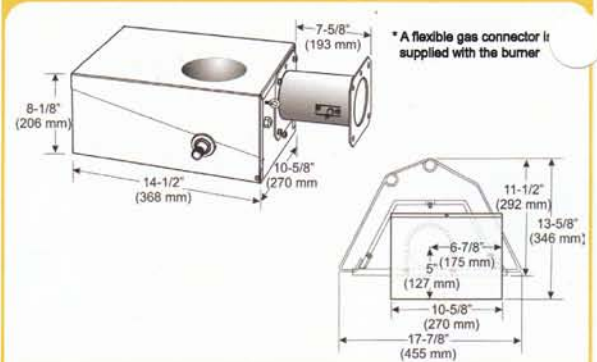
The InfraSave advantage:

- Highly rated customer service:
 - The quickest lead times, as short as two days
 - The best on-time performance, over 99% during normal periods and over 95% during peak seasons
 - The best quality in the industry: service claims less than 0.8% of sales
- Heating solutions from one source: luminous heaters, tube heaters, and patio heaters
- Fuel cost analysis and investment evaluation
- Professional planning and free CAD design layout
- Warranties on tube and luminous heaters: from 1 to 15 years depending on product

Our References Include:

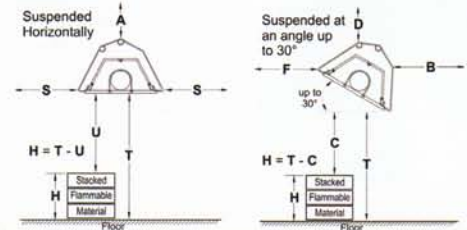
US Army, Canadian Armed Forces, Amazon.com, Lear Corporation, BMW, Purolator, UPS, Bombardier, Siemens, WalMart, DHL, and Applewood Glass.

Dimensions and Specifications



MODEL	INPUT BTU/HR	SYSTEM LENGTH	WEIGHT LBS.
ultimate 60-20	60,000	21'6"	190
ultimate 60-30	60,000	31'2"	272
ultimate 90-30	90,000	31'2"	272
ultimate 90-40	90,000	40'10"	354
ultimate 130-40	130,000	40'10"	354
ultimate 130-50	130,000	50'6"	436
ultimate 160-50	160,000	50'6"	436
ultimate 160-60	160,000	60'2"	518
ultimate 200-50	200,000	50'6"	436
ultimate 200-60	200,000	60'2"	518
ultimate 200-70	200,000	69'10"	600

Clearances to Combustibles



MODEL	SUSPENDED HORIZONTALLY			SUSPENDED AT AN ANGLE UP TO 30°			
	A	S	U	D	B	F	C
ultimate 60	0.5"	16"	45"	1.0"	3.25"	35"	41"
ultimate 90	1.25"	26"	70"	2.5"	5.25"	50"	60"
ultimate 130	1.5"	30"	86"	3.0"	6.25"	57"	70"
ultimate 160	3.0"	45"	105"	5.5"	10.0"	75"	85"
ultimate 200	3.5"	56"	111"	8.0"	12.5"	90"	93"

* "T" is a measured distance on site.

Gas pressure Natural Gas	Line minimum:	5" W.C. NG
	Line maximum:	14" W.C. NG
	Manifold:	3.5" W.C. NG
Gas inlet	1/2"	
Electrical	120V, 60 Hz, 0.145 AMPS [internal 24V burner components 21VA]	

Distributor Info:

